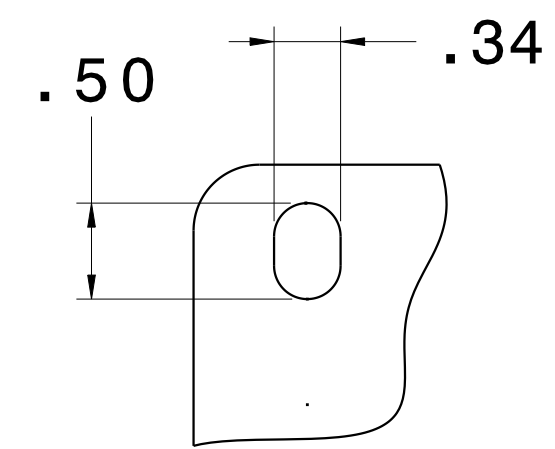
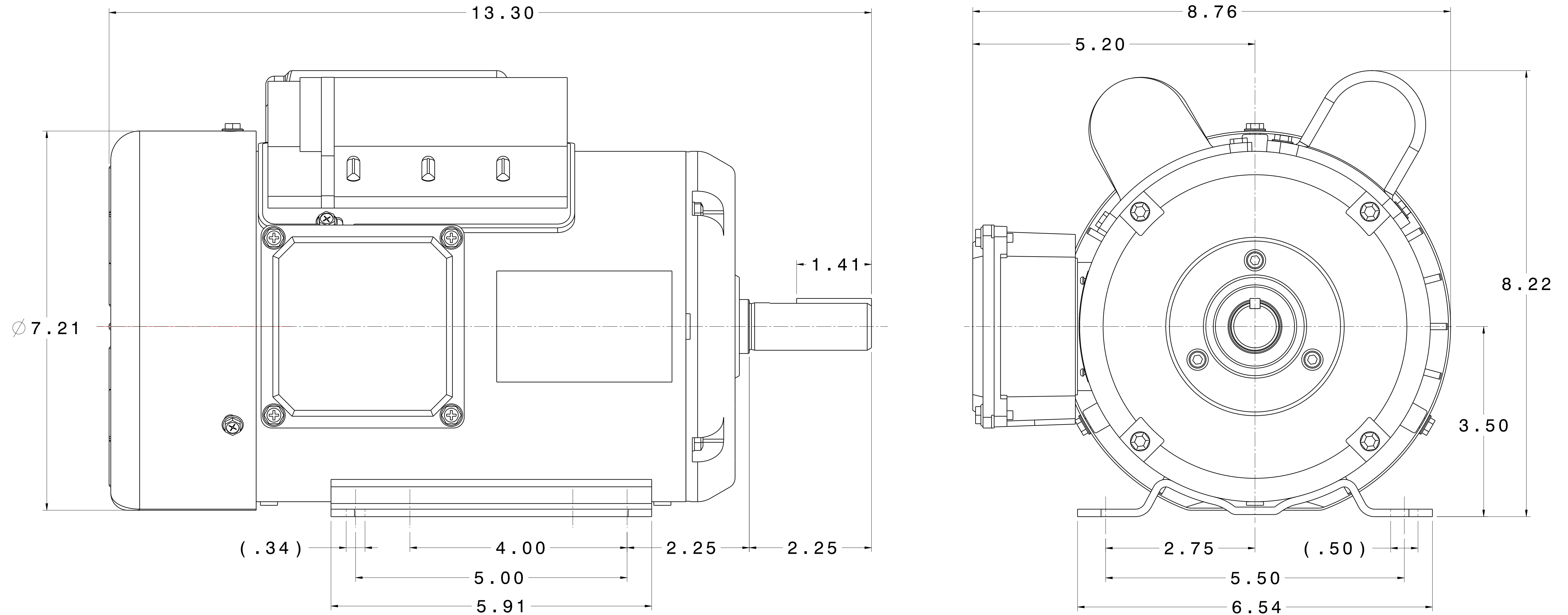
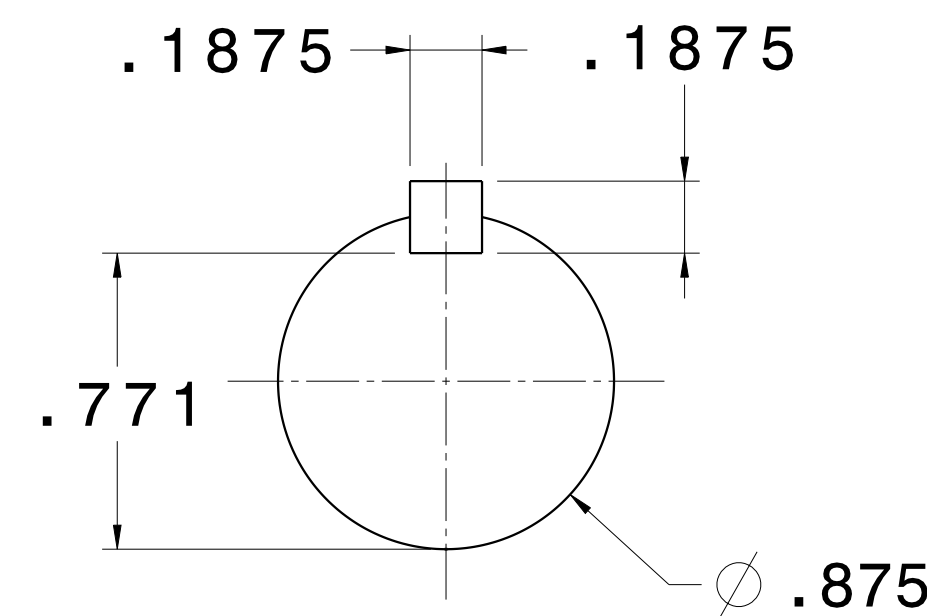


| CATALOG # | TYPE | FRAME | OUTPUT | | POLE | SYN. SPEED R.P.M. | VOLTAGE V. | Hz. | TIME RATING | INSULATION CLASS | SERVICE FACTOR | BEARINGS | | WEIGHT LBS |
|-----------|--------|-------|--------|-----|------|-------------------|-------------|-----|-------------|------------------|----------------|----------|--------|------------|
| | | | HP | KW | | | | | | | | DE | NDE | |
| SPT0012 | BEGS39 | 143T | 1 | .75 | 2 | 3600 | 115/208-230 | 60 | CONT. | F | 1.15 | 6205ZZ | 6203ZZ | 38 |

TOTALLY ENCLOSED FAN-COOLED TYPE, SQUIRREL-CAGE ROTOR



SLOT DETAIL



SHAFT END
(ENLARGED VIEW)

NOTES:

1. DIMENSIONS IN INCH.
2. ENCLOSURE: IP44.
3. FOR BELT SERVICE OR DIRECT COUPLING SERVICE.
4. BI-DIRECTIONAL ROTATION.

| | | | |
|---------------------------------|---|-------------------|--------------------|
| REF: 39020001KF10B | REV. DATA | | REV NO |
| | TECO Westinghouse | | 01 |
| | HVAC SINGLE PHASE OUTLINE DIMENSIONS | | DWG NO. SPT0012 |
| | DWN K. MILNER | 090617 | APPD T. FELPS |
| TECO-WESTINGHOUSE MOTOR COMPANY | | ROUND ROCK, TEXAS | USA |